

Lights as required  
WZ-233

Signs as required  
WZ-196

Wave Board  
4' / 6' / 8'  
WZ-173

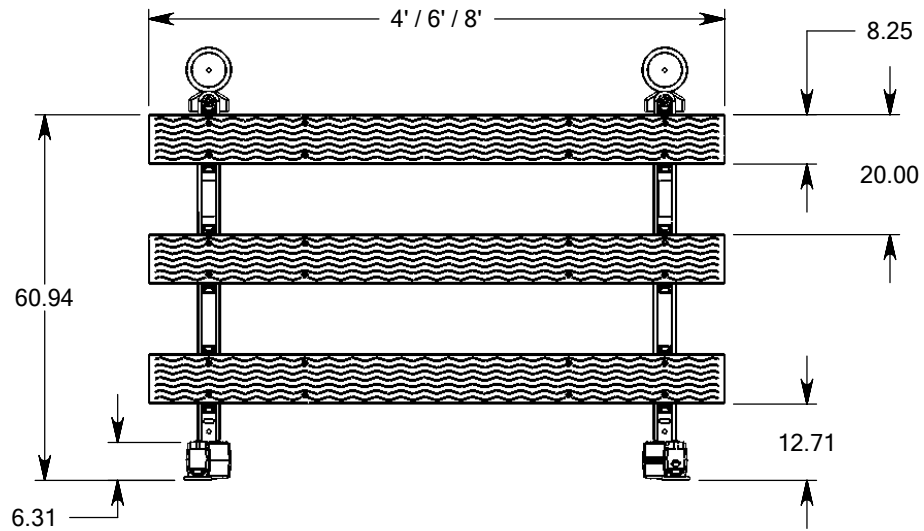
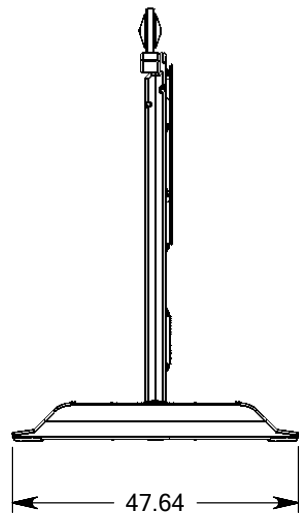
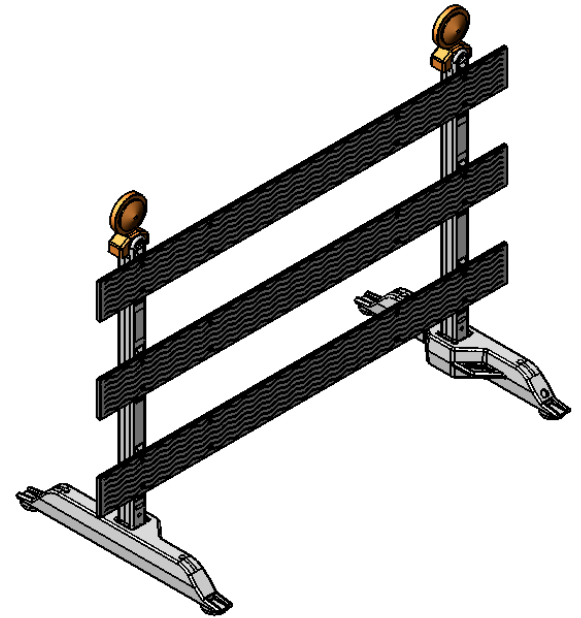
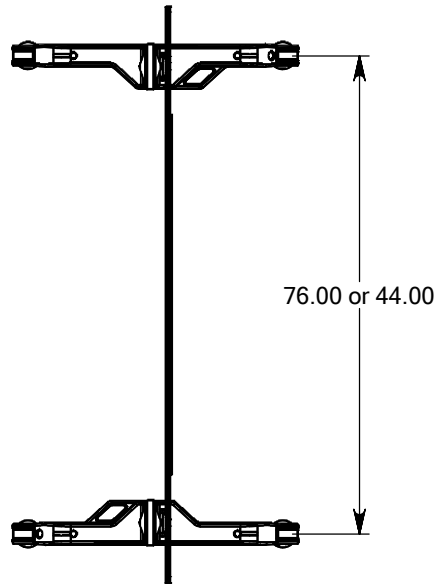
Mast Up-Right  
WZ-152

Anchor Foot  
WZ-152

**PROPRIETARY AND CONFIDENTIAL**  
THE INFORMATION CONTAINED IN THIS DRAWING IS THE SOLE PROPERTY OF Plastic Safety Systems Inc. ANY REPRODUCTION IN PART OR AS A WHOLE WITHOUT THE WRITTEN PERMISSION OF Plastic Safety Systems, Inc. IS PROHIBITED.

		DIMENSIONS ARE IN INCHES TOLERANCES: FRACTIONAL $\pm 1/16$ ANGULAR: MACH $\pm 2^\circ$ TWO PLACE DECIMAL $\pm 0.032$ THREE PLACE DECIMAL $\pm 0.015$		NAME CMM	DATE 5/3/06
		MATERIAL HDPE		CHECKED	
		FINISH N/A		ENG APPR.	
NEXT ASSY	USED ON			MFG APPR.	
APPLICATION		DO NOT SCALE DRAWING		Q.A.	
				COMMENTS:	

Plastic Safety Systems		
Anchor Type III Barricade with Mast Up-Rights and Wave Centerboards		
SIZE <b>A</b>	DWG. NO. Anchor Assem - 8'	REV.
SCALE: 1:13.5	WEIGHT:	SHEET 1 OF 2



**PROPRIETARY AND CONFIDENTIAL**  
 THE INFORMATION CONTAINED IN THIS DRAWING IS THE SOLE PROPERTY OF Plastic Safety Systems Inc. ANY REPRODUCTION IN PART OR AS A WHOLE WITHOUT THE WRITTEN PERMISSION OF Plastic Safety Systems, Inc. IS PROHIBITED.

		DIMENSIONS ARE IN INCHES		NAME	DATE
		TOLERANCES:		CMM	5/3/06
		FRACTIONAL ±		CHECKED	
		ANGULAR: MACH ± BEND ±		ENG APPR.	
		TWO PLACE DECIMAL ±		MFG APPR.	
		THREE PLACE DECIMAL ±		Q.A.	
		MATERIAL		COMMENTS:	
		HDPE			
NEXT ASSY	USED ON	FINISH			
		N/A			
APPLICATION		DO NOT SCALE DRAWING			

Plastic Safety Systems		
Anchor Type III Barricade with Mast Up-Rights and Wave Centerboards		
SIZE <b>A</b>	DWG. NO. Anchor Assem - 8'	REV.
SCALE: 1:32	WEIGHT:	SHEET 2 OF 2